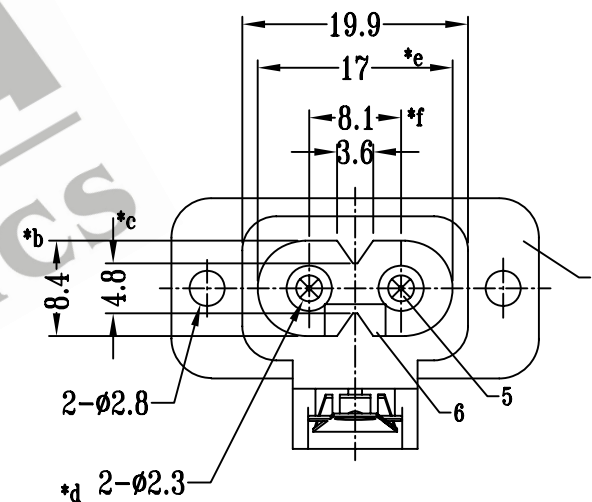
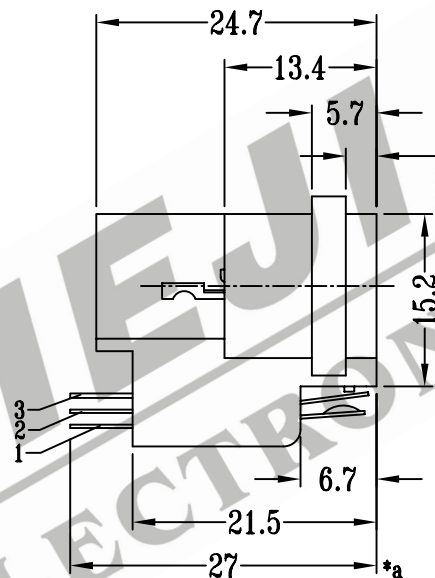
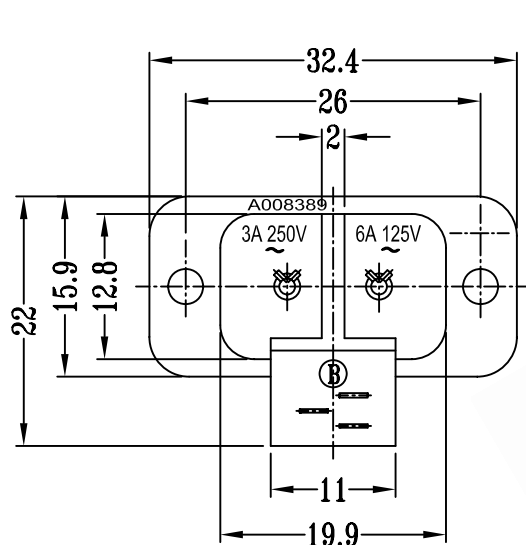
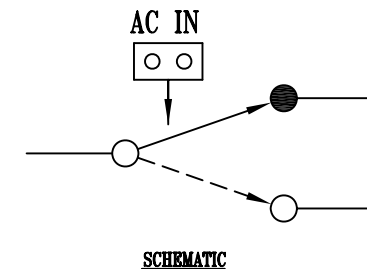


CAD FILE:



注:带"\*"表示关键尺寸(6个)

				TOLERANCE UNLESS SPECIFIED		SHENZHEN XIEJIA ELECTRONICS CO.,LTD.					
				WITHIN: 1.5±0.1mm		ISSUE	DATE	DESCRIPTIONS		APPD.	
				OVER : 1.5±0.2mm							
8											
7											
6	BAR	PC	1	BLACK	TITLE : AC SOCKET		UNIT : MM		DRWG NO.: XJ-DR-AS203S-00		
5	PLUG PIN	BRASS STRIP	2	Ag PLATED							MODEL: AS-203S
4	CASE	PC	1	BLACK	ALL MATERIALS MUST BE COMPLIANT TO ROHS				CHK'D	FANGYING	
3	SHORT TERMINAL	BRASS STRIP	1	Ag PLATED OVER Ni PLATED							APPD.
2	SPRING TERMINAL	PBS STRIP	1	Ag PLATED OVER Ni PLATED							
1	LONG TERMINAL	PBS STRIP	1	Ag PLATED OVER Ni PLATED							
NO.	PART NAME	MATERIAL	Q'TY	FINISHING							